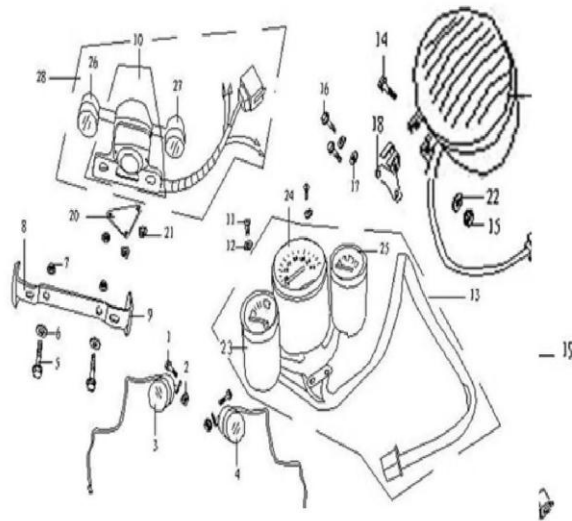


Eurospeed RS150B BODY PARTS

Instruments							
Num.	Part No.	Description	Q'ty	Price	Measure	Model	Category
1	B0107061254	Bolt M6×12	2		each	RS 150 B	Instruments
2	B04170612565	Nut M6	2		each	RS 150 B	Instruments
3	81300B05T000	Front Signal RH.	1		each	RS 150 B	Instruments
4	81100B05T000	Front Signal LH.	1		each	RS 150 B	Instruments
5	B02000601625	Bolt M6×16	2		each	RS 150 B	Instruments
6	B07020000605	Washer 6	2		each	RS 150 B	Instruments
7	B04070612565	Nut M6	2		each	RS 150 B	Instruments
8	08252B05T000	Licence Plate Bracket	1		each	RS 150 B	Instruments
9	86500B05T000	Side reflector,Rear	1		each	RS 150 B	Instruments
10	82000B05T000	Tail light ASSY.	1		each	RS 150 B	Instruments
11	B02010512025	Bolt M5×12	2		each	RS 150 B	Instruments
12	B07020000505	Washer 5	2		each	RS 150 B	Instruments
13	70000B05T000	Speedometer Assy.	1		each	RS 150 B	Instruments
14	B01070804025	Bolt M8×40	1		each	RS 150 B	Instruments
15	B04170812565	Nut M8	1		each	RS 150 B	Instruments
16	B01070601225	Bolt M6×12 (Dcr)	2		each	RS 150 B	Instruments
17	B07020000605	Washer 6	2		each	RS 150 B	Instruments
18	57500B05T000	Headlight Bracket	1		each	RS 150 B	Instruments
19	80000B05T000	Headlight Assy.	1		each	RS 150 B	Instruments
20	57511B05T000	Taillight Bracket	1		each	RS 150 B	Instruments
21	B04170612565	Nut M6	3		each	RS 150 B	Instruments
22	B07020000805	Washer 8	1		each	RS 150 B	Instruments

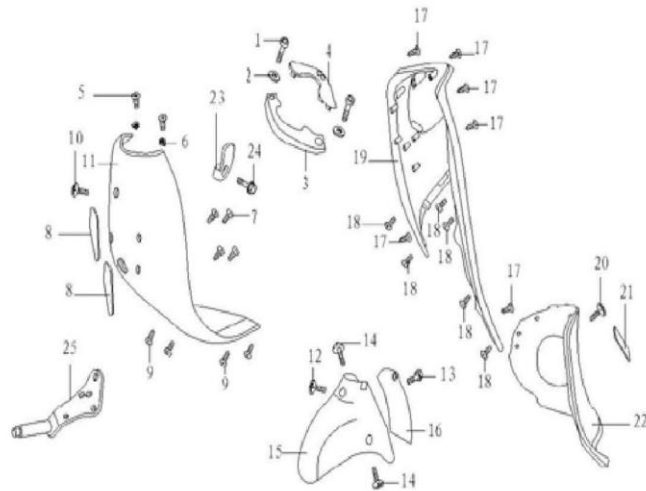
F-1 Instruments



Front Body Panels

Num.	Part No.	Description	Q'ty	Price	Measure	Model	Category
1	B01000602024	Bolt M6×20	2		each	RS 150 B	Front Body Panels
2	B07020000604	Washer 6	2		each	RS 150 B	Front Body Panels
3	83361B05T000	Upper Bracket1, Front cover	1		each	RS 150 B	Front Body Panels
4	82363B05T000	Upper Bracket2, Front cover	1		each	RS 150 B	Front Body Panels
5	B05004201604	Screw ST4.2×16	2		each	RS 150 B	Front Body Panels
6	90201B05T000	Nut M6	2		each	RS 150 B	Front Body Panels
7	B05004201304	Screw ST4.2×13	4		each	RS 150 B	Front Body Panels
8	65303B05T000	Decorative Panel	2		each	RS 150 B	Front Body Panels
9	B05004201604	Screw ST4.2×16	4		each	RS 150 B	Front Body Panels
10	B02000601224	Bolt M6×12	1		each	RS 150 B	Front Body Panels
11	65301B05TB20	Front cover(Black)	1		each	RS 150 B	Front Body Panels
11	65301B05TW10	Front cover(White)	1		each	RS 150 B	Front Body Panels
11	65301B05TC10	Front cover(Silver)	1		each	RS 150 B	Front Body Panels
11	65301B05TR20	Front cover(Pink)	1		each	RS 150 B	Front Body Panels
11	65301B05TL20	Front cover(Blue)	1		each	RS 150 B	Front Body Panels
12	B02000601625	Bolt M6×16	1		each	RS 150 B	Front Body Panels
13	B01070601225	Bolt M6×12	1		each	RS 150 B	Front Body Panels
14	B02000601625	Bolt M6×16	2		each	RS 150 B	Front Body Panels
15	65101B05TB20	Front fender, Fr.(Black)	1		each	RS 150 B	Front Body Panels
15	65101B05TB20	Front fender, Fr.(White)	1		each	RS 150 B	Front Body Panels
15	65101B05TC10	Front fender, Fr.(Silver)	1		each	RS 150 B	Front Body Panels
15	65101B05TR20	Front fender, Fr.(Pink)	1		each	RS 150 B	Front Body Panels
15	65101B05TL20	Front fender, Fr.(Blue)	1		each	RS 150 B	Front Body Panels
16	65106B05TB20	Front Fender,Rr(Black)	1		each	RS 150 B	Front Body Panels
16	65106B05TW10	Front Fender,Rr(White)	1		each	RS 150 B	Front Body Panels
16	65106B05TC10	Front Fender,Rr(Silver)	1		each	RS 150 B	Front Body Panels
16	65106B05TR20	Front Fender,Rr(Pink)	1		each	RS 150 B	Front Body Panels
16	65106B05TL20	Front Fender,Rr(Blue)	1		each	RS 150 B	Front Body Panels
17	B05004201205	Screw ST4.2×12	6		each	RS 150 B	Front Body Panels
18	B05004201305	Screw ST4.2×12	5		each	RS 150 B	Front Body Panels
19	65402B05TB20	Leg Shield, Upper(Black)	1		each	RS 150 B	Front Body Panels
19	65402B05TW10	Leg Shield, Upper(White)	1		each	RS 150 B	Front Body Panels
19	65402B05TC10	Leg Shield, Upper(Silver)	1		each	RS 150 B	Front Body Panels
19	65402B05TR20	Leg Shield, Upper(Pink)	1		each	RS 150 B	Front Body Panels
19	65402B05TL20	Leg Shield, Upper(Blue)	1		each	RS 150 B	Front Body Panels
20	B02000601225	Bolt M6×12	1		each	RS 150 B	Front Body Panels
21	65403B01T000	VIN Cover	1		each	RS 150 B	Front Body Panels
22	65422B05T000	Leg Shield, Lower	1		each	RS 150 B	Front Body Panels
23	51011B05T000	Helmet Hook	1		each	RS 150 B	Front Body Panels
24	B01070602025	Bolt M6x20	1		each	RS 150 B	Front Body Panels
25	5146AB05T000	Panel Bracket	1		each	RS 150 B	Front Body Panels

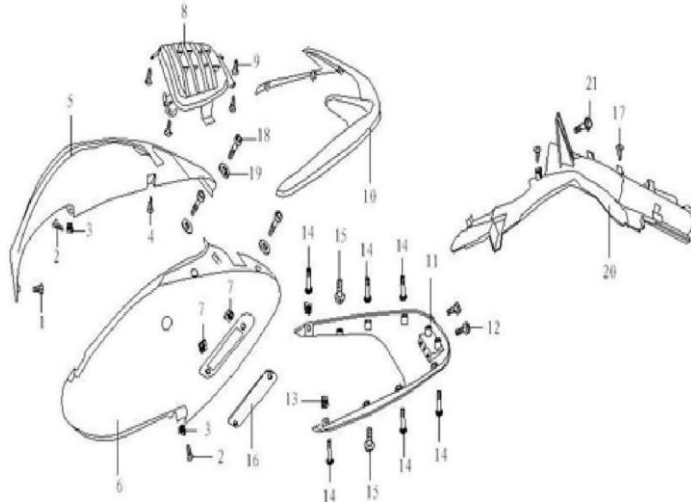
F-2 Front Body Panels



Rear Body Panels

Num.	Part No.	Description	Q'ty	Price	Measure	Model	Category
1	B05004201225	Screw ST4.2×12	1		each	RS 150 B	Rear Body Panels
2	B05004201625	Screw ST4.2×16	2		each	RS 150 B	Rear Body Panels
3	90201B05T000	Bolt ST4.2	2		each	RS 150 B	Rear Body Panels
4	B05004201225	Screw ST4.2×12	1		each	RS 150 B	Rear Body Panels
5	65602B05TB20	Side cover,RH(Black)	1		each	RS 150 B	Rear Body Panels
5	65602B05TW10	Side cover,RH(White)	1		each	RS 150 B	Rear Body Panels
5	65602B05TC10	Side cover,RH(Silver)	1		each	RS 150 B	Rear Body Panels
5	65602B05TR20	Side cover,RH(Pink)	1		each	RS 150 B	Rear Body Panels
5	65602B05TL20	Side cover,RH(Blue)	1		each	RS 150 B	Rear Body Panels
6	65601B05TB10	Side cover,LH(Black)	1		each	RS 150 B	Rear Body Panels
6	65601B05TW10	Side cover,LH(White)	1		each	RS 150 B	Rear Body Panels
6	65601B05TC10	Side cover,LH(Silver)	1		each	RS 150 B	Rear Body Panels
6	65601B05TR20	Side cover,LH(Pink)	1		each	RS 150 B	Rear Body Panels
6	65601B05TL20	Side cover,LH(Blue)	1		each	RS 150 B	Rear Body Panels
7	90201B05T000	screw ST4.22	2		each	RS 150 B	Rear Body Panels
8	65608B05T000	Vent	1		each	RS 150 B	Rear Body Panels
9	B05000601225	Bolt M6×12	4		each	RS 150 B	Rear Body Panels
10	82605B05T000	Rear Cover upper	1		each	RS 150 B	Rear Body Panels
11	82604B0ET000	Rear Cover under	1		each	RS 150 B	Rear Body Panels
12	B01070601625	Screw2	2		each	RS 150 B	Rear Body Panels
13	90201B0ET000	Nut	6		each	RS 150 B	Rear Body Panels
14	B02004201625	screw ST4.2	6		each	RS 150 B	Rear Body Panels
15	B02004201625	screw St4.2×16(Dcr)	2		each	RS 150 B	Rear Body Panels
16	82603B0ET000	small cover, Left	1		each	RS 150 B	Rear Body Panels
17	B05004201605	screw St4.2×16	1		each	RS 150 B	Rear Body Panels
18	B02050601225	Bolt M6×12	1		each	RS 150 B	Rear Body Panels
19	B07020000605	Washer 6	1		each	RS 150 B	Rear Body Panels
20	82201B0ET000	rear fender	1		each	RS 150 B	Rear Body Panels
21	B01070602025	Bolt M6×20 (Dcr)	1		each	RS 150 B	Rear Body Panels

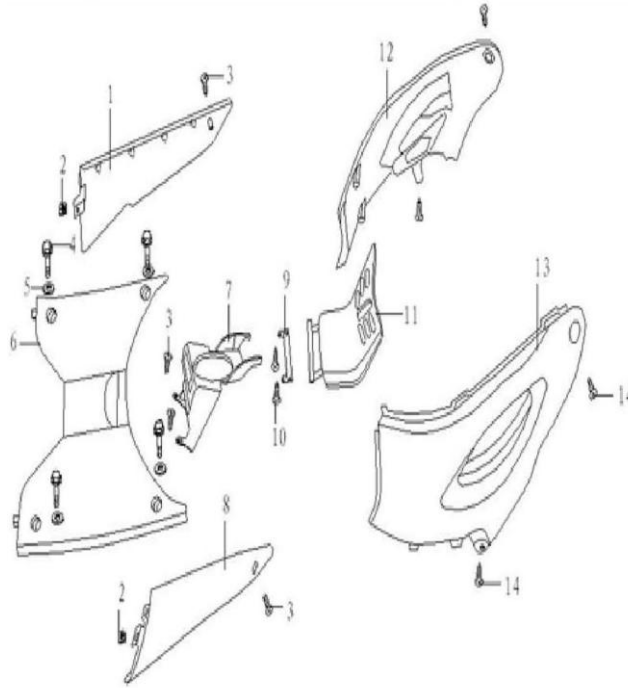
F-3 Rear Body Panels



Middle Body Panels

Num.	Part No.	Description	Q'ty	Price	Measure	Model	Category
1	65604B05TB20	Side cover, Lower,RH(Black)	1		each	RS 150 B	Middle Body Panels
1	65604B05TW10	Side cover, Lower,RH(White)	1		each	RS 150 B	Middle Body Panels
1	65604B05TC10	Side cover, Lower,RH(Silver)	1		each	RS 150 B	Middle Body Panels
1	65604B05TR20	Side cover, Lower,RH(Pink)	1		each	RS 150 B	Middle Body Panels
1	65604B05TL20	Side cover, Lower,RH(Blue)	1		each	RS 150 B	Middle Body Panels
2	90201B05T000	Bolt ST4.2	2		each	RS 150 B	Middle Body Panels
3	B05004201605	screw ST4.2×16	4		each	RS 150 B	Middle Body Panels
4	B01070602025	Bolt M6×20(Dcr)	4		each	RS 150 B	Middle Body Panels
5	B07020000605	Washer 6(Dcr)	4		each	RS 150 B	Middle Body Panels
6	65401B05T000	Floorboard	1		each	RS 150 B	Middle Body Panels
7	82802B05T000	Fuel tank Vent cover1	1		each	RS 150 B	Middle Body Panels
8	65603B05TB20	Side cover, Lower,LH(Black)	1		each	RS 150 B	Middle Body Panels
8	65603B05TW10	Side cover, Lower,LH(White)	1		each	RS 150 B	Middle Body Panels
8	65603B05TC10	Side cover, Lower,LH(Silver)	1		each	RS 150 B	Middle Body Panels
8	65603B05TR20	Side cover, Lower,LH(Pink)	1		each	RS 150 B	Middle Body Panels
8	65603B05TL20	Side cover, Lower,LH(Blue)	1		each	RS 150 B	Middle Body Panels
9	82805B05T000	Bracket Plate	1		each	RS 150 B	Middle Body Panels
10	B05004201205	screw ST4.2×12	2		each	RS 150 B	Middle Body Panels
11	82806B05T000	Fuel tank Vent cover2	1		each	RS 150 B	Middle Body Panels
12	83101B05T000	Mid-Cover, R.	1		each	RS 150 B	Middle Body Panels
13	83102B05T000.	Mid-Cover, L	1		each	RS 150 B	Middle Body Panels
14	B05004201605	screw ST4.2×16	4		each	RS 150 B	Middle Body Panels

F-4 Middle Body Panels

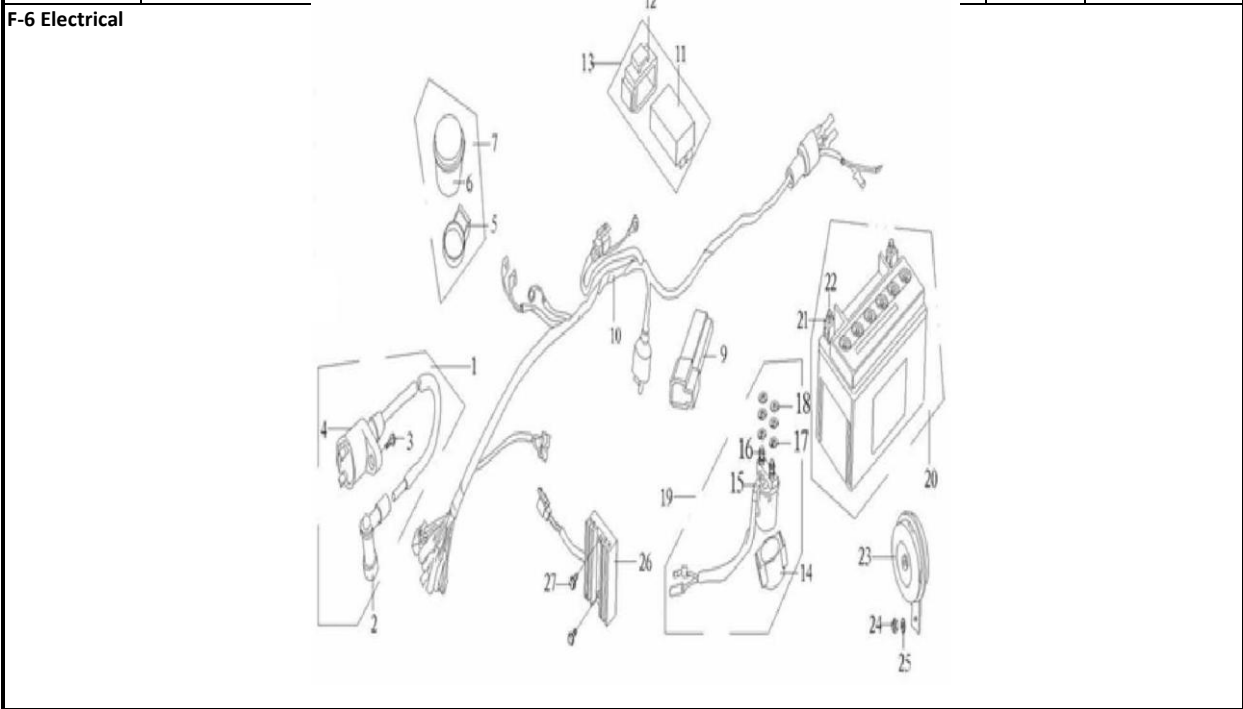


Control Switches							
Num.	Part No.	Description	Q'ty	Price	Measure	Model	Category
10	40500B05T000	L. Switch	1		each	RS 150 B	Control Switches
11	40600B05T000	R. Switch	1		each	RS 150 B	Control Switches

F-5 Control Switches

The diagram shows two main switch assemblies. The upper assembly includes a switch body (1), a switch lever (2), a spring (3), a contact arm (4), a contact point (5), a contact spring (6), and a contact terminal (7). The lower assembly includes a switch body (8), a switch lever (9), a spring (10), and a contact terminal (11). Various electrical wires and connectors are also shown.

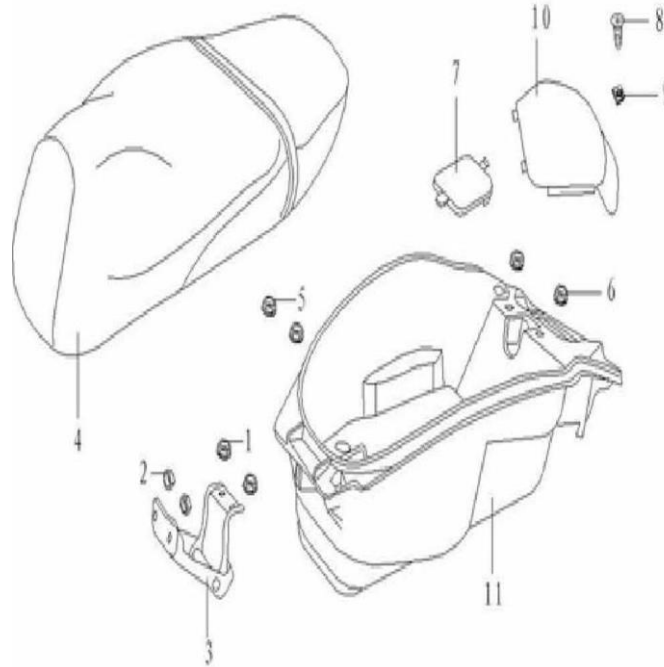
Electrical							
Num.	Part No.	Description	Q'ty	Price	Measure	Model	Category
1	96200B05T000	Ignition Coil Assy	1		each	RS 150 B	Electrical
3	B01090601625	Bolt M6×16	1		each	RS 150 B	Electrical
7	96400B05T000	Flasher Assy	1		each	RS 150 B	Electrical
10	92000B05T000	Main Cable	1		each	RS 150 B	Electrical
11	97701B05T000	CDI	1		each	RS 150 B	Electrical
19	94100B05T000	Relay, Starting	1		each	RS 150 B	Electrical
20	96010B05T000	Battery	1		each	RS 150 B	Electrical
23	95100B05T000	Horn Parts	1		each	RS 150 B	Electrical
26	98801B05T000	Rectifier, Pressure Adjusting	1		each	RS 150 B	Electrical
27	B01090601625	Bolt M6×16	1		each	RS 150 B	Electrical



Seat and Storage

Num.	Part No.	Description	Q'ty	Price	Measure	Model	Category
1	B04070612563	Nut M6	2		each	RS 150 B	Seat and Storage
2	B04070612563	Nut M6	2		each	RS 150 B	Seat and Storage
3	51083B05T000	Linker, Cushion	1		each	RS 150 B	Seat and Storage
4	51000B05T000	Cushion, Assembly	1		each	RS 150 B	Seat and Storage
5	B04070612563	Nut M6	2		each	RS 150 B	Seat and Storage
6	B04070612563	Nut M6	2		each	RS 150 B	Seat and Storage
7	51005B05T000	Bottom Cover, Goods Case	1		each	RS 150 B	Seat and Storage
8	BB05074201605	screw ST4.2×16	1		each	RS 150 B	Seat and Storage
9	65801B05T000	Bolt Clip ST4.2	1		each	RS 150 B	Seat and Storage
10	51018B05T000	Rear Cover, Goods Case	1		each	RS 150 B	Seat and Storage
11	51004B05T000	Goods Case	1		each	RS 150 B	Seat and Storage

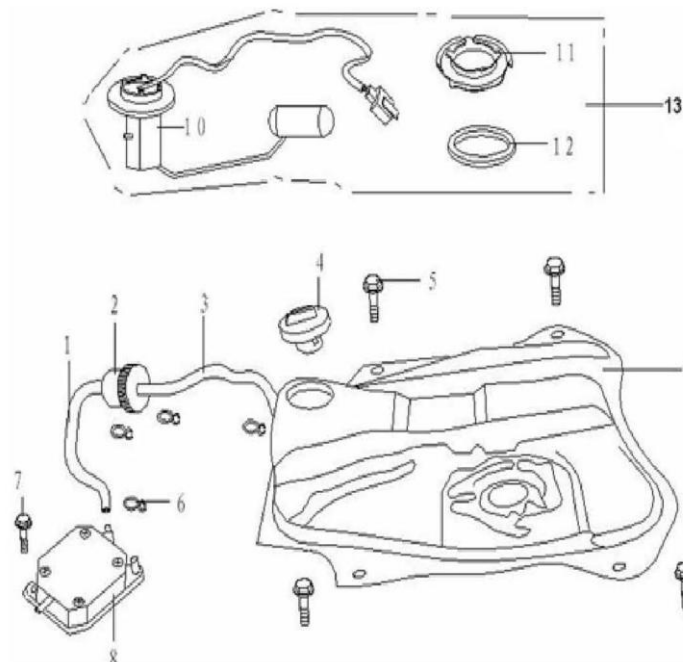
F-7 Seat and Storage



Oil Tank

Num.	Part No.	Description	Q'ty	Price	Measure	Model	Category
1	50301B05T000	Fuel Pipe, Filter	1		each	RS 150 B	Oil Tank
2	50340B05T000	Filter	1		each	RS 150 B	Oil Tank
3	50302B05T000	Fuel Pipe, Tank	1		each	RS 150 B	Oil Tank
4	88400B05T000	Cover Comp., Fuel Tank	1		each	RS 150 B	Oil Tank
5	B01090601225	Bolt M6×12	4		each	RS 150 B	Oil Tank
6	50306B05T000	Fuel Pipe Hoop	4		each	RS 150 B	Oil Tank
7	B01090601225	Bolt M6×12	1		each	RS 150 B	Oil Tank
8	45400B05T000	Oil Pump	1		each	RS 150 B	Oil Tank
9	50100B05T000	Fuel Tank Comp.	1		each	RS 150 B	Oil Tank
10	50003B05T000	Fuel Transducer	1		each	RS 150 B	Oil Tank
11	50003B05T000	Clip Ring, Fuel Transducer	1		each	RS 150 B	Oil Tank
12	50004B05T000	Airproof Washer	1		each	RS 150 B	Oil Tank
13	50800B05T000					150 B	Oil Tank

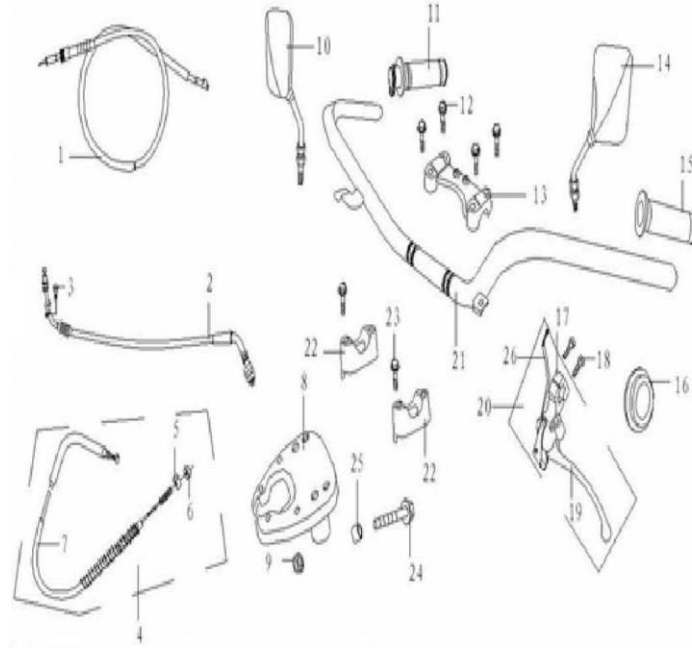
F-8 Oil Tank



Handlebar

Num.	Part No.	Description	Q'ty	Price	Measure	Model	Category
1	72900B05T000	Odometer Cable	1		each	RS 150 B	Handlebar
2	40300B05T000	Throttle cable Comp.	1		each	RS 150 B	Handlebar
3	B02000501025	screw M5x10	1		each	RS 150 B	Handlebar
4	40270B05T000	Brake Cable	1		each	RS 150 B	Handlebar
8	57435B05T000	Base, Handle bar	1		each	RS 150 B	Handlebar
9	B04171012565	Nut M10	1		each	RS 150 B	Handlebar
10	40480B05T000	Rear View Mirror,R	1		each	RS 150 B	Handlebar
11	40210B05T000	Grip,Throttle	1		each	RS 150 B	Handlebar
12	B01090603624	Bolt M8x36	4		each	RS 150 B	Handlebar
13	43014B05T000	Bracket, Upper, Handle bar	1		each	RS 150 B	Handlebar
14	40460B05T000	Rear View Mirror,L	1		each	RS 150 B	Handlebar
15	40001B05T000	Grip, LH	1		each	RS 150 B	Handlebar
16	40510B05T000	Bracket, L. Switch	1		each	RS 150 B	Handlebar
17	40520B05T000	Bracket,L. Mirror	1		each	RS 150 B	Handlebar
18	B01090602025	screw M6X20	2		each	RS 150 B	Handlebar
19	40084B05T000	Rear Brake Lever	1		each	RS 150 B	Handlebar
20	4500B05T000	Rear Brake Lever Assy.	1		each	RS 150 B	Handlebar
21	40100B05T000	Handle Bar Assy.	1		each	RS 150 B	Handlebar
22	43013B05T000	Bracket, Lower,Handle Bar	2		each	RS 150 B	Handlebar
23	B01090802025	Bolt M8X20	2		each	RS 150 B	Handlebar
24	B01091005025	Bolt M10x50	1		each	RS 150 B	Handlebar
25	40025B05T000	Bush,Steering	1		each	RS 150 B	Handlebar
26	91030B05T000	Cap,Steering	1		each	RS 150 B	Handlebar

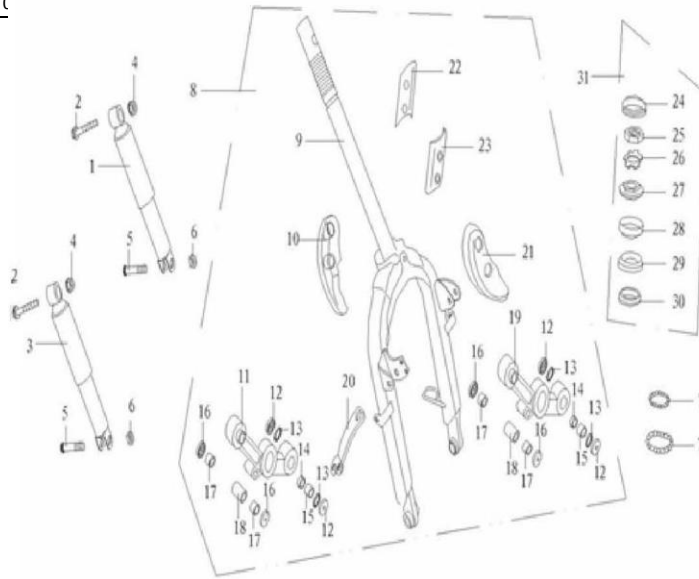
F-9 Handlebar



Front Fork

Num.	Part No.	Description	Q'ty	Price	Measure	Model	Category
1	43300B05T000	F. Absorber	1		each	RS 150 B	Front Fork
2	B01090803525	BOLT M8x35	2		each	RS 150 B	Front Fork
3	43200B05T000	F. Absorber	1		each	RS 150 B	Front Fork
4	B04070812565	Nut M8	2		each	RS 150 B	Front Fork
5	B01090803025	Bolt	2		each	RS 150 B	Front Fork
6	B04070812565	Nut M8	2		each	RS 150 B	Front Fork
7	B06010150000	Steering Ball	2		each	RS 150 B	Front Fork
8	43000B05T000	Front Fork Assy.	1		each	RS 150 B	Front Fork
9	43100B05T000	Front Fork Joint	1		each	RS 150 B	Front Fork
10	67001B05T000	Front Fork Cover	1		each	RS 150 B	Front Fork
11	67120B05T000	Rocker, L	1		each	RS 150 B	Front Fork
19	67150B05T000	Rocker, R.	1		each	RS 150 B	Front Fork
20	54007B05T000	Rocker, Brake	1		each	RS 150 B	Front Fork
21	67002B05T000	Cover, L.Rocker	1		each	RS 150 B	Front Fork
22	67070B05T000	Cover, L. Rocker	1		each	RS 150 B	Front Fork
23	67080B05T000	Cover, R. Rocker	1		each	RS 150 B	Front Fork
31	43055B05T000				each	RS 150 B	Front Fork

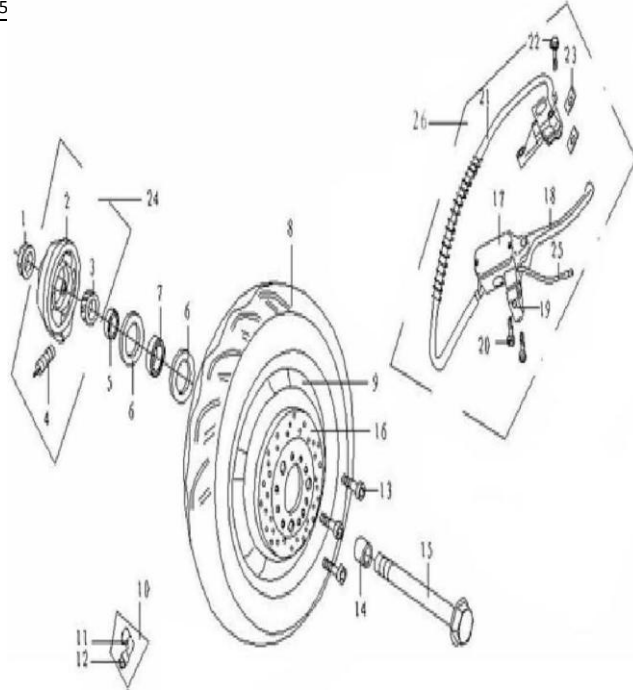
F-10 Front Fork



Front Wheel

Num.	Part No.	Description	Q'ty	Price	Measure	Model	Category
1	B04171212565	Nut M12	1		each	RS 150 B	Front Wheel
5	B120401009000	Bearing 6201-2LS	1		each	RS 150 B	Front Wheel
6	44006B05T000	Middle Bush, Wheel	2		each	RS 150 B	Front Wheel
7	B12016030100	Bearing 6201-2LS	1		each	RS 150 B	Front Wheel
8	B140105C12A0	Tire 3.50-10	1		each	RS 150 B	Front Wheel
9	44100B05T000B	Front Rim	1		each	RS 150 B	Front Wheel
10	50720B05T000	Valve,Tire	1		each	RS 150 B	Front Wheel
13	45036B05T000	Socket Head Bolt M6X25	3		each	RS 150 B	Front Wheel
14	44016B05T000	Bush, F. Wheel Shaft	1		each	RS 150 B	Front Wheel
15	44004B05T000	F. Wheel Shaft M12x210	1		each	RS 150 B	Front Wheel
16	45033B05T000	Braking Disc	1		each	RS 150 B	Front Wheel
18	45022B05T000	Fr. Brake Lever	1		each	RS 150 B	Front Wheel
23	45120B05T000	Fr. Brake Wearing Plate	2		each	RS 150 B	Front Wheel
24	44200B05T000	Odometer Gear	1		each	RS 150 B	Front Wheel
25	91020B05T000	Fr. Brake Light Switch	1		each	RS 150 B	Front Wheel
26	45900B05				ach	RS 150 B	Front Wheel

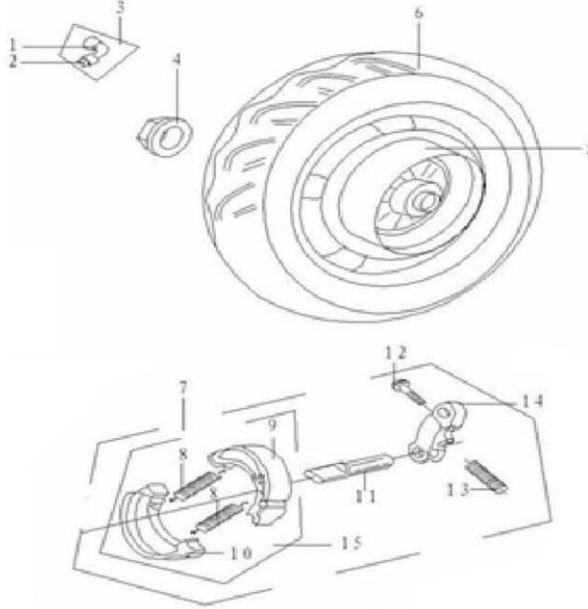
F-11 Front Wheel



Rear Wheel

Num.	Part No.	Description	Q'ty	Price	Measure	Model	Category
3	50721B05T000	Valve Comp.	1		each	RS 150 B	Rear Wheel
4	B0417121255	Nut M12	1		each	RS 150 B	Rear Wheel
5	54000B05T000	Rear Rim Comp.	1		each	RS 150 B	Rear Wheel
6	B140105C12A0	Rear Tyre Comp.	1		each	RS 150 B	Rear Wheel
11	54003B05T000	Rocker, Rear Brake	1		each	RS 150 B	Rear Wheel
12	B01090603025	Bolt M6x30	1		each	RS 150 B	Rear Wheel
13	54001B05T000	Spring, Rear Brake	1		each	RS 150 B	Rear Wheel
14	54007B05T000	Welding Comp. Rear Brake	1		each	RS 150 B	Rear Wheel
15	54200B05T000				each	RS 150 B	Rear Wheel

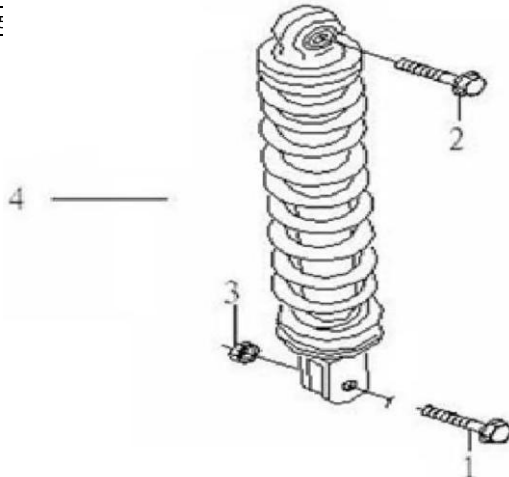
F-12 Rear Wheel



Rear Shock Absorbers

Num.	Part No.	Description	Q'ty	Price	Measure	Model	Category
1	B01090803625	Bolt M8x36	1		each	RS 150 B	Rear Shock Absorber:
2	B01091003625	Bolt M10x36	1		each	RS 150 B	Rear Shock Absorber:
3	B04170812565	Bolt M8	1		each	RS 150 B	Rear Shock Absorber:
4	6800B05T000				each	RS 150 B	Rear Shock Absorber:

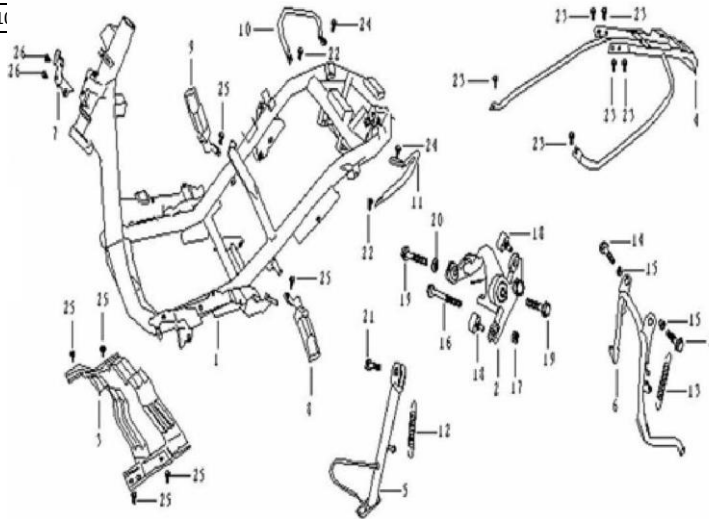
F-13 Rear Shock Absorbers



Frame

Num.	Part No.	Description	Q'ty	Price	Measure	Model	Category
1	57100B05T000	Frame comp.	1		each	RS 150 B	Frame
2	58320B05T000	Engine hinging assy.	1		each	RS 150 B	Frame
3	65401B05T000	Stay, pedal	1		each	RS 150 B	Frame
4	65771B05T000	Tail stay	1		each	RS 150 B	Frame
5	58710B05T000	Side frame comp.	1		each	RS 150 B	Frame
6	58500B05T000	Main frame comp.	1		each	RS 150 B	Frame
7	8100B05T000	Stay, horn	1		each	RS 150 B	Frame
8	57610B05T000	Side pedal, L.	1		each	RS 150 B	Frame
9	57630B05T000	Side pedal, R.	1		each	RS 150 B	Frame
10	52500B05T000	Rear armrest, R.	1		each	RS 150 B	Frame
11	52600B05T000	Rear armrest, L.	1		each	RS 150 B	Frame
12	57003B05T000	Spring, side stay	1		each	RS 150 B	Frame
13	58502B05T000	Spring, main stay	1		each	RS 150 B	Frame
14	B01091002525	Bolt M10×25	2		each	RS 150 B	Frame
15	58538B05T000	Bush, main stay	2		each	RS 150 B	Frame
16	B01090818325	Bolt M8×183	1		each	RS 150 B	Frame
17	B04071012565	Nut M10	1		each	RS 150 B	Frame
18	B07020001005	Washer	2		each	RS 150 B	Frame
19	B01091005025	Bolt M10×50	2		each	RS 150 B	Frame
20	58307B05T000	Bush	2		each	RS 150 B	Frame
21	B01091002525	Bolt M10×25	1		each	RS 150 B	Frame
22	B01090602025	Bolt M6×20	2		each	RS 150 B	Frame
23	B01090601625	Bolt M6×16	6		each	RS 150 B	Frame
24	B01090602025	Bolt M6×20	2		each	RS 150 B	Frame
25	B01090602025	Bolt M6×20	2		each	RS 150 B	Frame
26	B01090602025	Bolt M6×20	2		each	RS 150 B	Frame

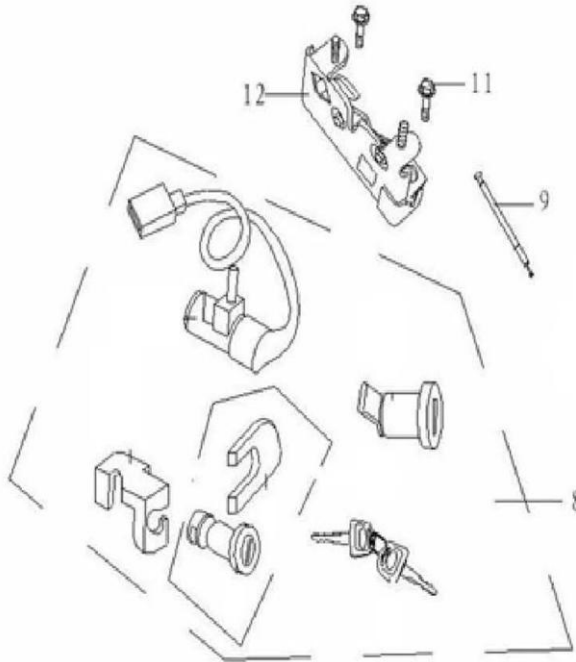
F-14 Frame



Locks

Num.	Part No.	Description	Q'ty	Price	Measure	Model	Category
8	88000B05T000	lock assy.	1		each	RS 150 B	Locks
9	40680B05T000	cushion lock cable	1		each	RS 150 B	Locks
11	B0109060:				ach	RS 150 B	Locks
12	58800B05:				ach	RS 150 B	Locks

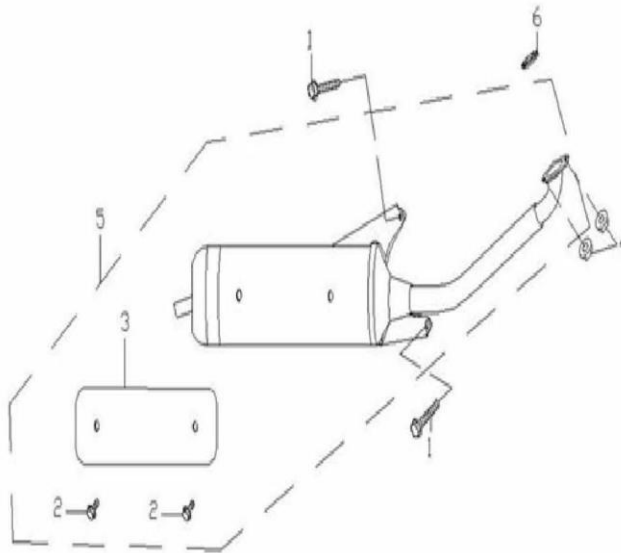
F-15 Locks



Muffler

Num.	Part No.	Description	Q'ty	Price	Measure	Model	Category
1	B01090803625	Bolt M8×36	2		each	RS 150 B	Muffler
2	B01090601025	Bolt M6×10	2		each	RS 150 B	Muffler
3	47009B05T000	Heat Shield	1		each	RS 150 B	Muffler
4	47006B05T000	Nut M8	2		each	RS 150 B	Muffler
5	49000B05TC					RS 150 B	Muffler
6	47800B05TC					RS 150 B	Muffler

F-16 Muffler



Air Cleaner

Num.	Part No.	Description	Q'ty	Price	Measure	Model	Category
1	49001JCCT000	CAP AIR CLEANER	1		each	RS 150 B	Air Cleaner
2	49200JCCT000	FILTER ASSY.	1		each	RS 150 B	Air Cleaner
3	49013JCCT000	DUST SEAL	1		each	RS 150 B	Air Cleaner
4	49016JCCT000	CLIP COMP. 1	1		each	RS 150 B	Air Cleaner
5	49101JCCT000	CAP AIR CLEANER	1		each	RS 150 B	Air Cleaner
6	49005JCCT000	TUBE, AIR OUTER	1		each	RS 150 B	Air Cleaner
7	49340JCCT000	CLIP COMP. 2	1		each	RS 150 B	Air Cleaner
8	B05004201000	TAPPING SCREW ST4.2X10	8		each	RS 150 B	Air Cleaner
9	B13060E				each	RS 150 B	Air Cleaner
10	49000JC				each	RS 150 B	Air Cleaner

F-17 Air Cleaner

