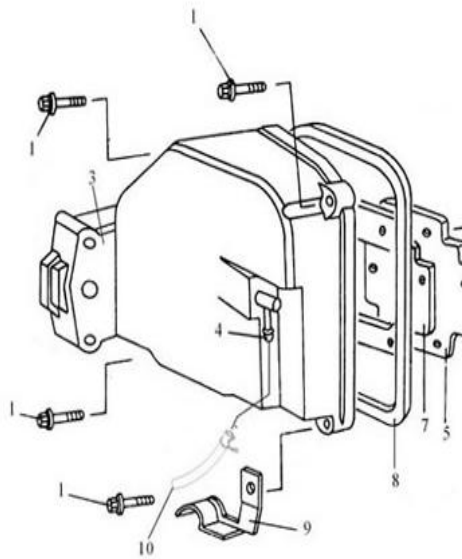


Eurospeed ES8 Engine Parts list

Cylinder Head Cover Assy				
Num	Code	Description	Qty.	Price
1	26107B01F911	STUD M6X25	4	
3	30701J05F000	COVER,CYLINDER HEAD	1	
4	30505G02F000	PLUG	1	
5	20205J05F100	COVER	1	
6	201325F05724	SCREW ST4.2X6	4	
7	30505J05F000	GASKET	1	
8	27101B02FF10	GASKET ,RUBBER	1	
10	261002F21000	TUBE, BREATHER	1	

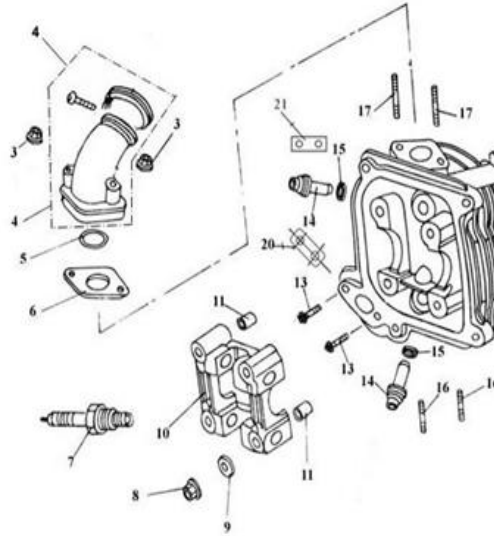
F-1 Cylinder Head Cover Assy



Cylinder Head Assy.				
Num	Code	Description	Qty.	Price
3	26127G02F000	FLANGE NUT M6	2	
4	26125G03F000	PIPE,INTAKE	1	
5	26123G01F000	O RING 21.5X2.2	1	
6	22510G00F000	INSULATOR CARBURETOR	1	
7	30506G02F000	SPARK PLUG	1	
8	26127G02F911	NUT M7	4	
9	15209J03F000	WASHER	4	
10	30311J05F000	HOLDER,CAMSHAFT	1	
11	26208G02F000	PIN,DOWEL 8X14	2	
12	30701B01F264	HEAD ASSY, CYLINDER	1	
13	30501K02F001	BOLT M6X20	2	
14	30108J03F912	GUIDER,VALVE	2	
15	15208J03F000	WASHER	2	

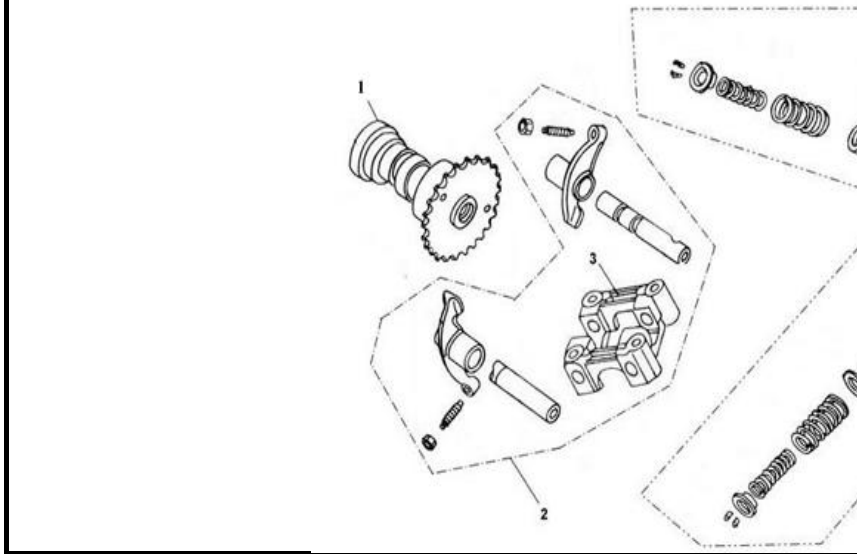
16	26105B03F910	STUD M6X32	2	
17	26105B02F910	STUD M6X63	2	
18	26104B02F910	BOLT M6X85	2	
19	26220B03F000	HEAD GASKET, CYLINDER	1	

F-2 Cylinder Head Assy.



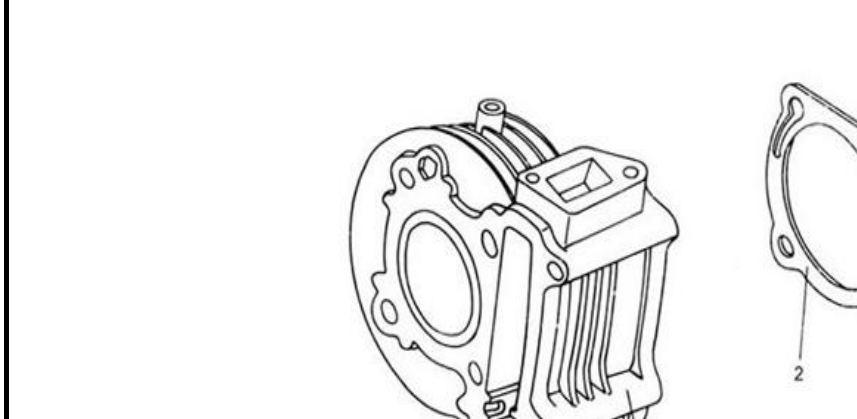
Valve & Camshaft Assy				
Num	Code	Description	Qty.	Price
1	26133J03F000	CAMSHAFT ASSY,COMP	1	
2	26110J04F000	Rocker arm bracket ASSY.	1	
3	26102G03F000	HOLDER,CAMSHAFT	1	
13	30111J03F910	INLET VALVE	1	
14	30023J03F000	EXHAUST VALVE	1	
15	30004J03F000	INLET VALVE ASSY.	1	
16	30110J03F900	EXHAUST VALVE ASSY.	1	

F-3 Valve & Camshaft Assy.



Cylinder Assy.				
Num	Code	Description	Qty.	Price
1	271001F03F000	CYLINDER COMP	1	
2	204204B02F000	GASKET, CYLINDER	1	
3	26208G02F000	PIN,DOWEL 8X14	2	

F-4 Cylinder Assy.

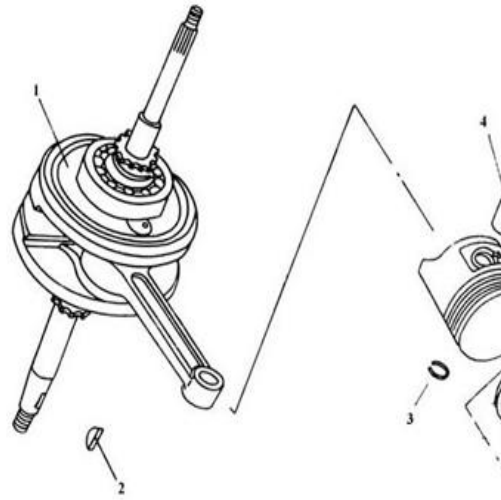




Crankshaft Concord & Piston A

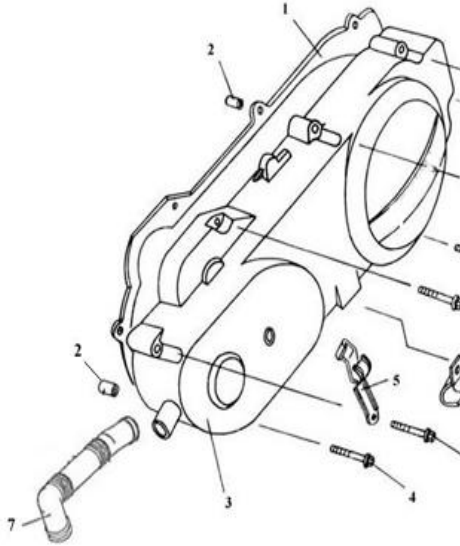
Num	Code	Description	Qty.	Price
1	15201J05F000	CRANKSHAFT ASSY	1	
2	15102J01F000	KEY, WOODRUFF	1	
3	208001.0032	CIRCLIP	2	
4	15103K03F000	PIN,PISTON	1	
5	208301.0451	PISTON	1	
6	15305K02F000	PISTON RING ASSY	1	

F-5 Crankshaft Concord & Piston Assy.



Cover LH Assy.				
Num	Code	Description	Qty.	Price
1	207205.006	GASKET,TRANSMISSION COVER	1	
2	26208G02F000	PIN,DOWEL 8X14	2	
3	207200.018025	COVER, TRANSMISSION	1	
4	B01070602555	PAN HEAD SCREW M6X35	11	

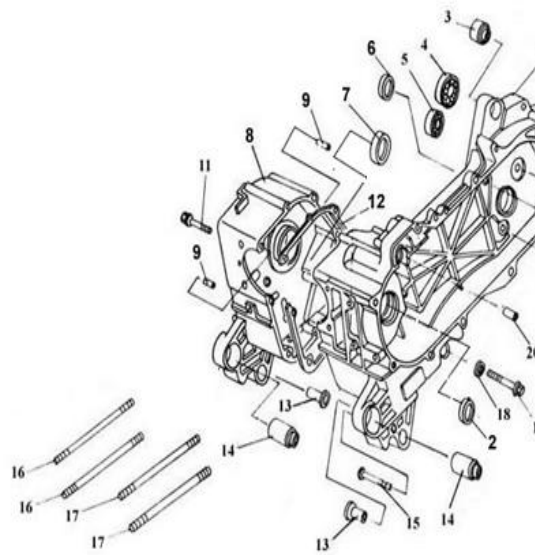
F-6 Cover LH Assy.



Crankcase Assy.				
Num	Code	Description	Qty.	Price
1	26210K02F000	CRANKCASE ASSY LH	1	
2	26120J03F000	OIL SEAL 19X30	1	
3	26501G03F000	BUSH,ENGINE MOUNTING	1	
4	26215J03F000	ROLLER BEARING 6003		
5	B12016610230	BALL BEARING 6201		
6	26123J02F000	OIL SEAL 17X28X5.	1	
8	26211K03F000	CRANKCASE ASSY RH	1	
9	26207G02F000	PIN,DOWEL 8X14	2	
11	26105J03F910	BOLT M6X45		
12	206210.00100	GASKET, CRANKCASE	1	
13	26115J03F900	COLLOR	1	
14	26501G02F000	BUSH	2	
15	26103J04F913	STOPPER,MAIN STAND SPRING	1	
16	26104J05F000	BOLT M7X163	2	
17	26103J05F000	BOLT M7X170.5	2	
18	15206J03F000	WASHER, DRAIN PLUG	1	
19	26120J03F000	PLUG,DRAIN	1	
20	26106G02F000	PIN,DOWEL 8X14	2	
21	26120J08F000	FLANGE BOLT,DRAIN	1	
22	15207J03F000	WASHER 8	1	

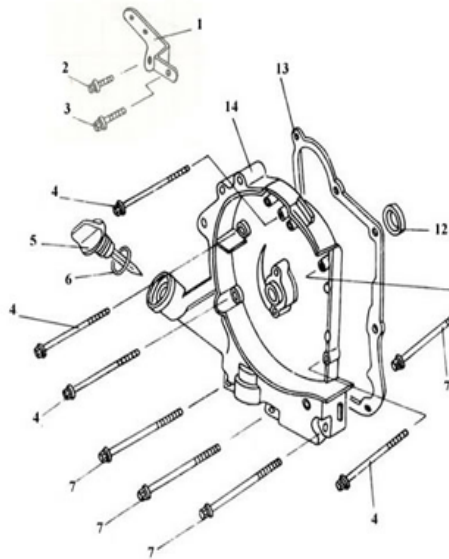
23	26115J03F910	BOLT M8X35	3	
24	26105J03F910	BOLT M8X40	4	

F-7 Crankcase Assy.



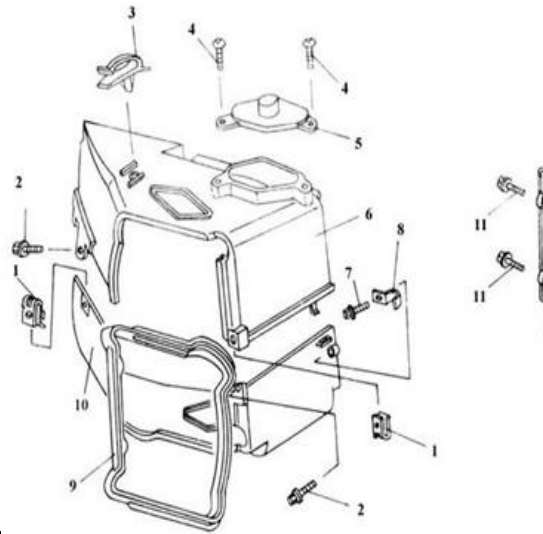
Cover Assy RH				
Num	Code	Description	Qty.	Price
4	26113J03F000	BOLT 6X100	4	
5	26311J05F000	OIL CAP, WITH DIP STICK	1	
6	26103G03F000	O RING18X3.5	1	
7	26117J05F000	BOLT M6X85	4	
8	26130J02F000	STAINER OIL	1	
9	26115G02F030	SPRING,STAINER	1	
10	26101G02F000	O RING	1	
11	30513G05F000	PLUG,DRAIN	1	
12	26106J03F000	OIL SEAL 16.4X30X5	1	
13	30533J04F000	GASKET	1	
14	26211K04F000	COVER ,CRANKCASE RH	1	

F-8 Cover Assy RH



Fan Cover & Shroud Assy.				
Num	Code	Description	Qty.	Price
1	26114G02F910	NUT ASSY	2	
2	26103J03F000	BOLT M6X15	2	
3	20211J05FT11	CLAMP	1	
4	201225F05724	SCREW M4X12	2	
5	26105G03F910	DUST COVER	1	
6	20213J04FT04	SHROUD,UPPER	1	
7	26180J03F000	BOLT M6X24	3	
9	20215J05FT10	BEADING RUBBER, SHROUD	1	
10	20211J09FT10	SHROUD,LOWER	1	
11	201224F03710	SCEW ST4.8X16	2	
12	20205J04FT13	COVER,FAN ASSY	1	
13	30505G02F000	PLUG	1	

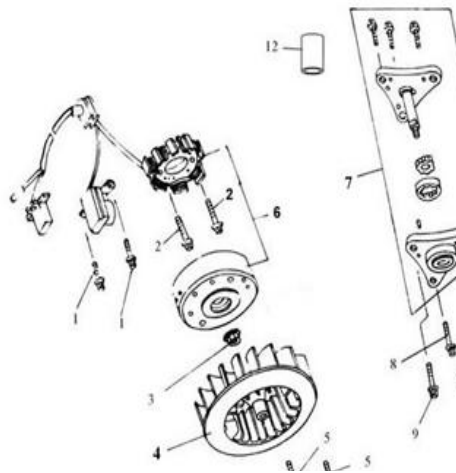
F-9 Fan Cover & Shroud Assy.



Magnetor

Num	Code	Description	Qty.	Price
1	26103J03F000	BOLT M5X12	2	
2	26108J03F000	BOLT M6X17	2	
3	26106J03F000	BOLT M10	1	
4	20402J05F000	FAN, COOLING	1	
5	26113J03F134	BOLT M6X18	4	
6	223100.00300	Magneto Assy.	1	
7	19001J04F000	OIL PUMP ASSY	1	
8	26113J03F000	BOLT M6X20	2	
9	26113J03F000	BOLT M6X25	1	
10	19114J03F000	GEAR,OIL PUMP DRIVEN	1	
11	26127G02F910	NUT	1	
12	26208G02F000	PIN,DOWEL 8X14	1	

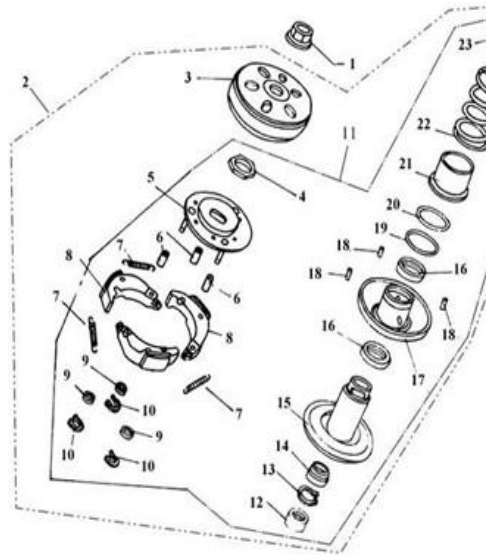
F-10 Magnetor





Clutch Assy.				
Num	Code	Description	Qty.	Price
1	26128G03F910	NUT M10X1	1	
2	24101J05F000	DRIVEN PULLEY COMP.	1	
3	24231H03F000	CLUTCH DRUM	1	
24	24160J03F000	V BELT, DRIVE	1	

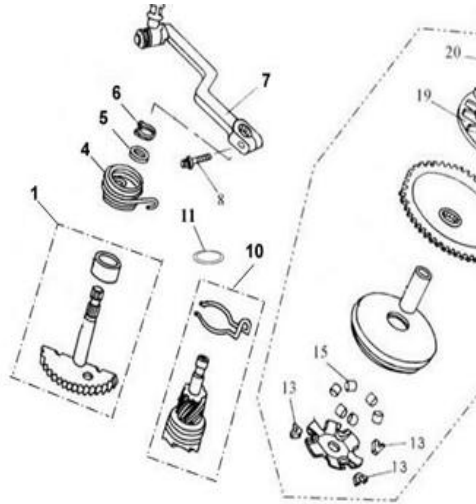
F-11 Clutch Assy.



Kick starter Assy				
Num	Code	Description	Qty.	Price
1	216100.10300	SPINDLE, KICK STARTER	1	
4	21601.104000	SPRING, KICK STARTER	1	
5	15219J03F000	THRUST WASHER	1	
6	26122G02F000	CIRCLIP 15	1	
7	26103G02F000	LEVER, KICK STARTER	1	
8	26103J03F134	BOLT 6X25MM	1	
10	26111J04F000	RATCHET, KICK PINION 1	1	
11	22103J04F000	CLIP	1	
12	26031G02F000	DRIVE PULLEY ASSY. COMP.	1	
13	26120G03F000	DAMPER	3	
15	26204J03F000	ROLLER (4g) SET OF 6	6	
19	26104G04F000	FACE DRIVE	1	
20	26110J04F000	RATCHET, KICK PINION 2	1	
21	15211J03F000	WASHER	1	
22	26104J02F112	BOLT	1	

F-12 Kick Starter Assy.

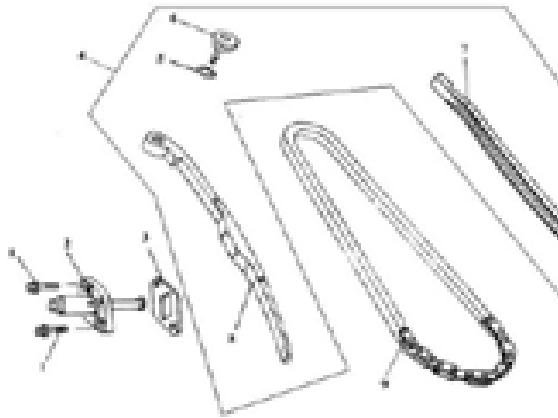
07-12



Timing Chain Assy

Num	Code	Description	Qty.	Price
1	26105J02F003	BOLT	2	
2	27321J05F000	CHAIN TENSIONER	1	
3	30505J05F000	GASKET, CHAIN TENSIONER	1	
4	27201J05F000	GUIDE RAIL, FIXED	1	
5	26112G03F000	O RING 15.2X1.5	1	
6	26104J03F001	BOLT M6X20	1	
7	27200J05F000	GUIDE RAIL	1	
8	27210J05F000	GUIDE RAIL, FLOATING	1	
9	27422J05F000	TIMING CHAIN	1	

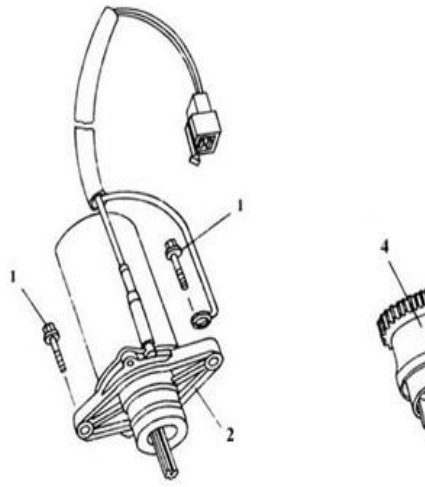
F-13 Timing Chain Assy.



Electric Starter

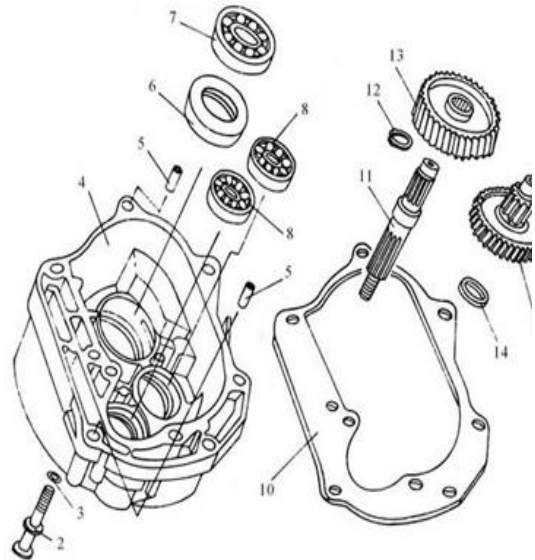
Num	Code	Description	Qty.	Price
1	201300F05724	SCREW	2	
2	218100.011400	STARTER MOTOR COMP.	1	
4	26105G05F000	IDLE GEAR	1	

F-14 Electric Starter



Transmission box				
Num	Code	Description	Qty.	Price
2	26108G03F000	STOPPER,BRAKE SHOES	1	
3	26110G03F000	O RING 6.8X1.9	1	
4	26211F04T000	COVER, GEAR BOX	1	
5	26208G03F000	DOWEL PIN 10X14	2	
6	26100G05F000	SHAFT COLLAR	1	
7	26215J03F000	ROLLER BEARING 6003	1	
8	B12010810230	BALL BEARING 6201	2	
10	30505J05F000	GASKET, GEAR BOX	1	
11	30021J03F000	PRIMARY DRIVE SHAFT	1	
12				
13	26210F04T000	TERMINAL GEAR		
14	26100G03F000	SHAFT COLLAR		
15	26210J04F000	GEAR , IDLE	1	
16	26103G04F000	SHAFT, OUT PUT	1	
17	26217J03F000	NEEDLE BEARING 6004	1	

F-15 Transmission Box



Carburetor				
Num	Code	Description	Qty.	Price
1	224100.10500	CARBURETOR	1	

F-16 Carburetor

